

# **FIREFLY VENTILATION SYSTEM PRODUCT INTRODUCTION**

Fan GD62.11B.E03-E04 Series

## Fan GD62.11B.E03-E04 Series

This fan is designed specifically for energy storage power stations, battery charging rooms, power batteries, and fixed battery storage areas. It is used in conjunction with combustible gas detection devices, BMS, and other control devices to prevent harm to life and property from flammable, explosive, or toxic gases such as hydrogen, and to ensure uninterrupted business for customers.

The air intake device is used in conjunction with the exhaust fan to achieve air intake and exhaust in the protected area. Simple and reliable control, effectively and quickly discharge flammable, explosive or toxic gases that may accumulate in enclosed spaces outside the protected area, or guide them to controllable areas through air ducts.

This product is easy to install and stable. Both the intake and exhaust fans are equipped with rain proof electric valves, providing IP66 level rain and dust protection functions.



## Product Features

- ★ CE certified electric actuator
- ★ Used in conjunction with combustible or toxic gas detectors
- ★ Non continuous operation, the LED working status indicator light is on during operation
- ★ Lock when the air valve door panel is opened or closed
- ★ Easy to install, with installation bracket, can adapt to different wall thicknesses
- ★ Equipped with local or remote emergency manual start and emergency manual stop functions
- ★ Equipped with signal feedback function and maintenance self-test function
- ★ Anti corrosion grade: C5
- ★ Factory standard color code: RAL9003
- ★ Blade drive mode: actuator

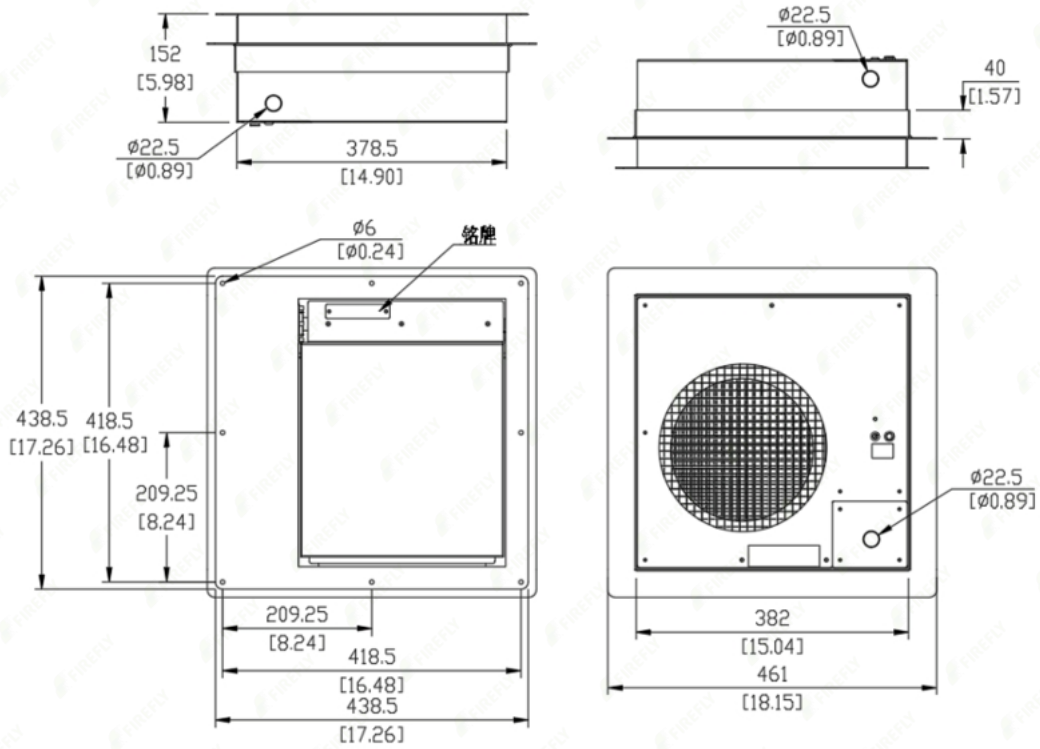
## Product Advantages

- ★ Durable and reliable, with a long product lifespan
- ★ Excellent rain and dust resistance
- ★ Adopting fast plug wiring method, easy to install
- ★ Simple control logic and flexible application methods

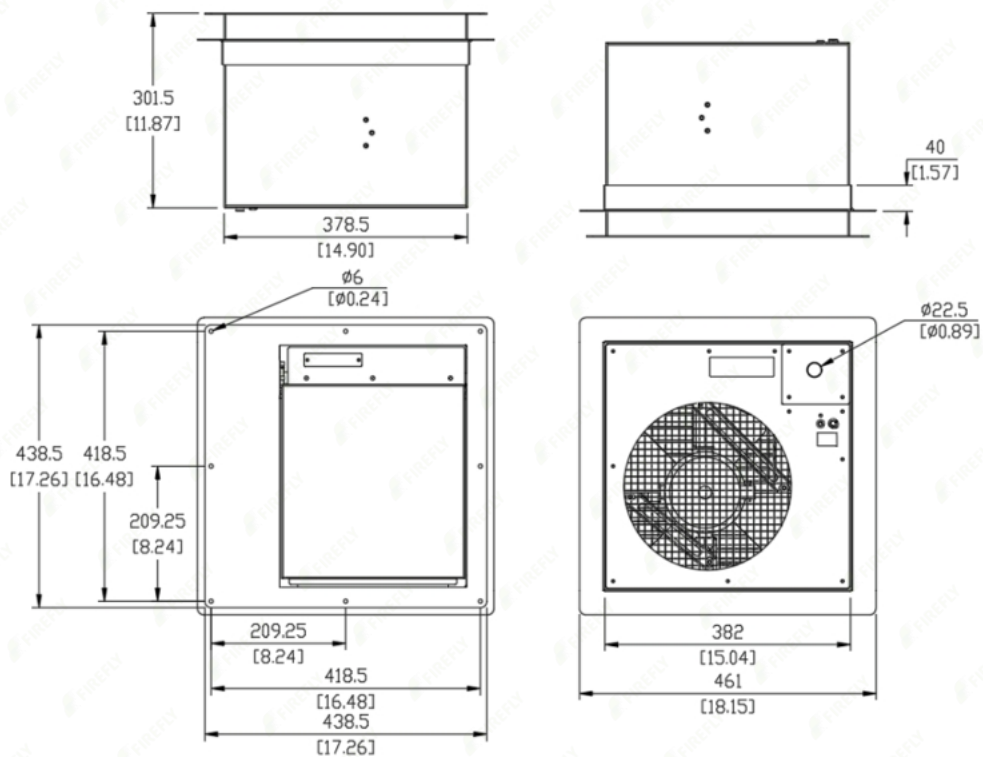
## Technical Specifications

Project	Parameters/Specifications	
Product order number	GD62.11B.E03.D00	GD62.11B.E04.D00
Function	Inlet fan	Exhaust fan
Rated voltage & frequency	230VAC 50/Hz	230VAC 50/Hz
Rated current	50mA	1200mA
Ventilation area/Fan air volume	0.075m <sup>2</sup>	1376±15%CFM(2339±15% <sup>3</sup> m/h)
Actuator authentication	CE	CE
Fan certification	Fanless	Ex db II C T4 Gb
Optional accessories	Insulation cotton	Insulation cotton
Net weight (estimated)	12kg	20kg
Level	IP66	IP66
Working temperature and humidity	-25°C~+50°C/95%	-25°C~+50°C/95%
Storage temperature and humidity	-30°C~+55°C/95%	-30°C~+55°C/95%
Material	Galvanized steel	Galvanized steel
Product dimensions	438.5mm×438.5mm×152mm	438.5mm×438.5mm×301.5mm
Installation hole size	385mm×385mm	385mm×385mm

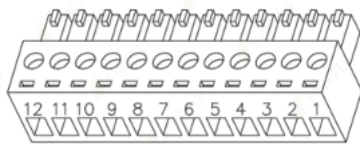
## Dimension Drawing of Inlet Fan Unit : mm [inch]



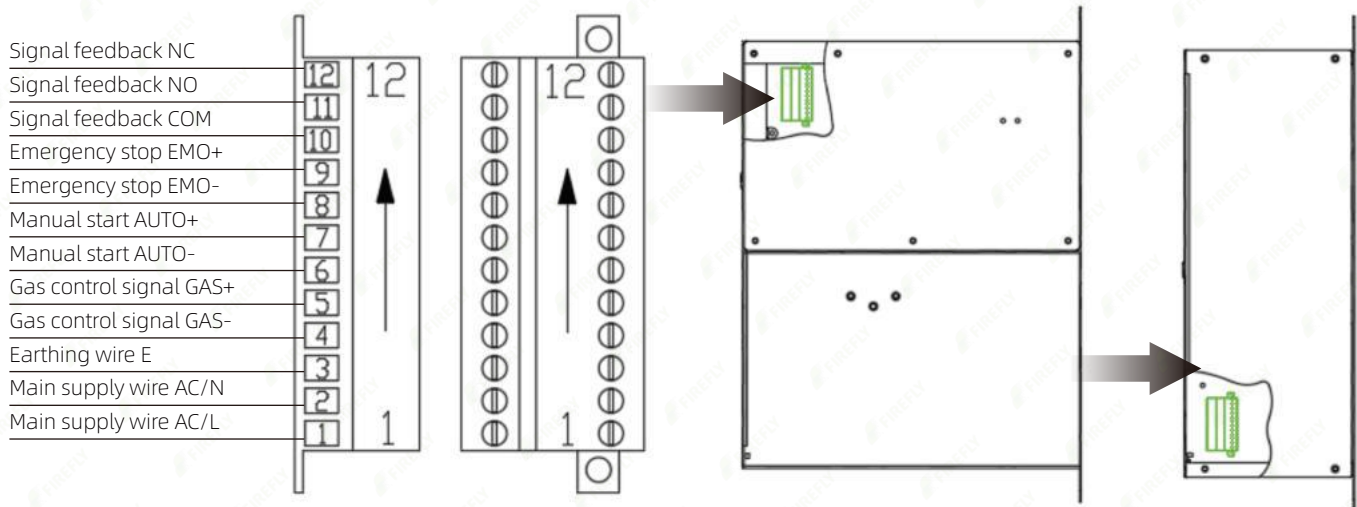
## Dimension Drawing of Exhaust Fan Unit : mm [inch]



## Wiring Definition

Connecting wire as per serial NO.						
Serial NO.	Interface definition	Serial NO.	Interface definition	Serial NO.	Interface definition	Connector view
1	Main supply wire AC/N	5	Gas control signal +	9	Emergency stop +	
2	Main supply wire AC/L	6	Manual start -	10	Signal feedback COM	
3	Earthing wire E	7	Manual start +	11	Signal feedback NO	
4	Gas control signal -	8	Emergency stop -	12	Signal feedback NC	

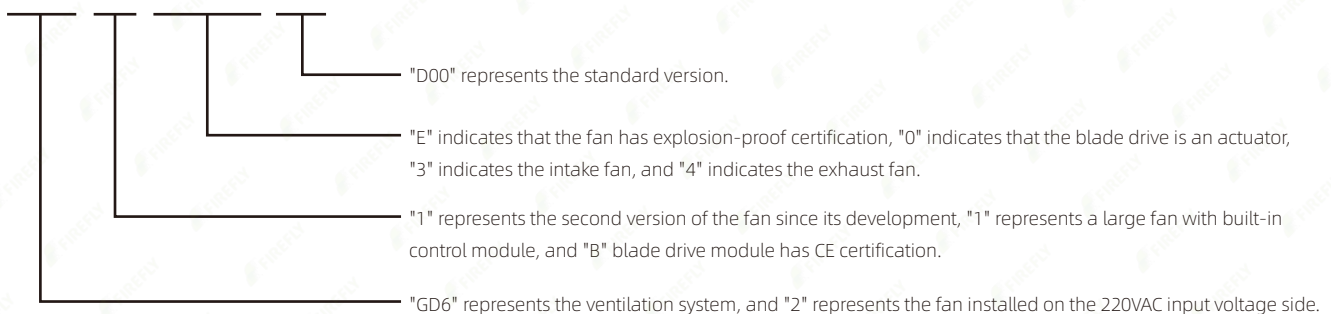
## Wiring Instruction



☆ Wiring harness specification: All interfaces support 28-14 AWG.

## Model Description

### GD62.11B.E03/E04.D00





**FIREFLY** Excellent Brand  
Under Wanzn Energy Safety

FireFly Global Sales & Distribution

## **FireFly Safety Limited**

**Address:** 19H Maxgrand Plaza No 3 Tai Yai St San Po Kong Hong Kong

**Tel:** 00852 4613 9499

**Email:** Firefly@fire-fly.hk

**Website:** www.fire-fly.hk

※ ※ ※ Document version number :20250605-V1.1 ※ ※ ※

If you have any questions or need to obtain the latest information, please contact us.