

FIREFLY VENTILATION SYSTEM PRODUCT INTRODUCTION

Fan GD62.21D.J03-J04 Series

Fan GD62.21D.J03-J04 Series

This series of fans is designed specifically for energy storage power stations, battery charging rooms, power batteries, and fixed battery storage areas. It is used in conjunction with combustible gas detection devices, BMS, and other control devices to prevent harm to life and property from flammable, explosive, or toxic gases such as hydrogen, and to ensure uninterrupted business for customers.

The air intake device is used in conjunction with the exhaust fan to achieve the functions of air intake and exhaust in the protected area. Simple and reliable control, effectively and quickly discharge flammable, explosive or toxic gases that may accumulate in enclosed spaces outside the protected area, or guide them to controllable areas through air ducts.

This product is easy to install and stable. Both the intake and exhaust fans are equipped with rain proof electric valves, providing IP66 level rain and dust protection functions.



Product Features

- ★ UL/CE International Certified Electric Valve
- ★ Used in conjunction with combustible or toxic gas detectors
- ★ Non continuous operation, the LED working status indicator light is on during operation
- ★ Lock when the air valve door panel is opened or closed
- ★ Equipped with local or remote emergency manual start and emergency manual stop functions
- ★ Equipped with signal feedback function
- ★ Anti corrosion grade: C5
- ★ Factory standard color code: RAL9003
- ★ Blade drive mode: actuator

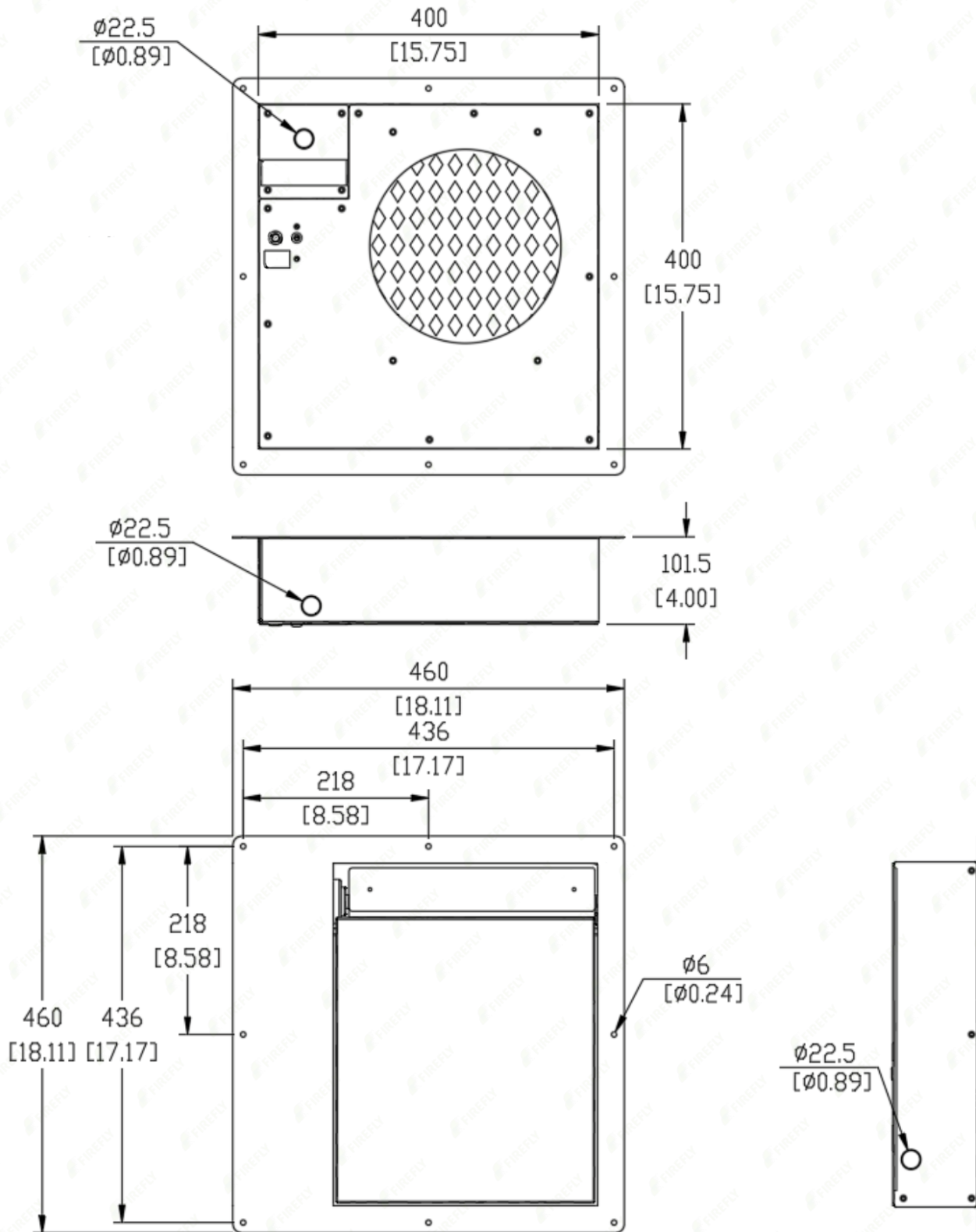
Product Advantages

- ★ Durable and reliable, with a long product lifespan
- ★ Excellent rain and dust resistance
- ★ Adopting fast plug wiring method, easy to install
- ★ Simple control logic and flexible application methods

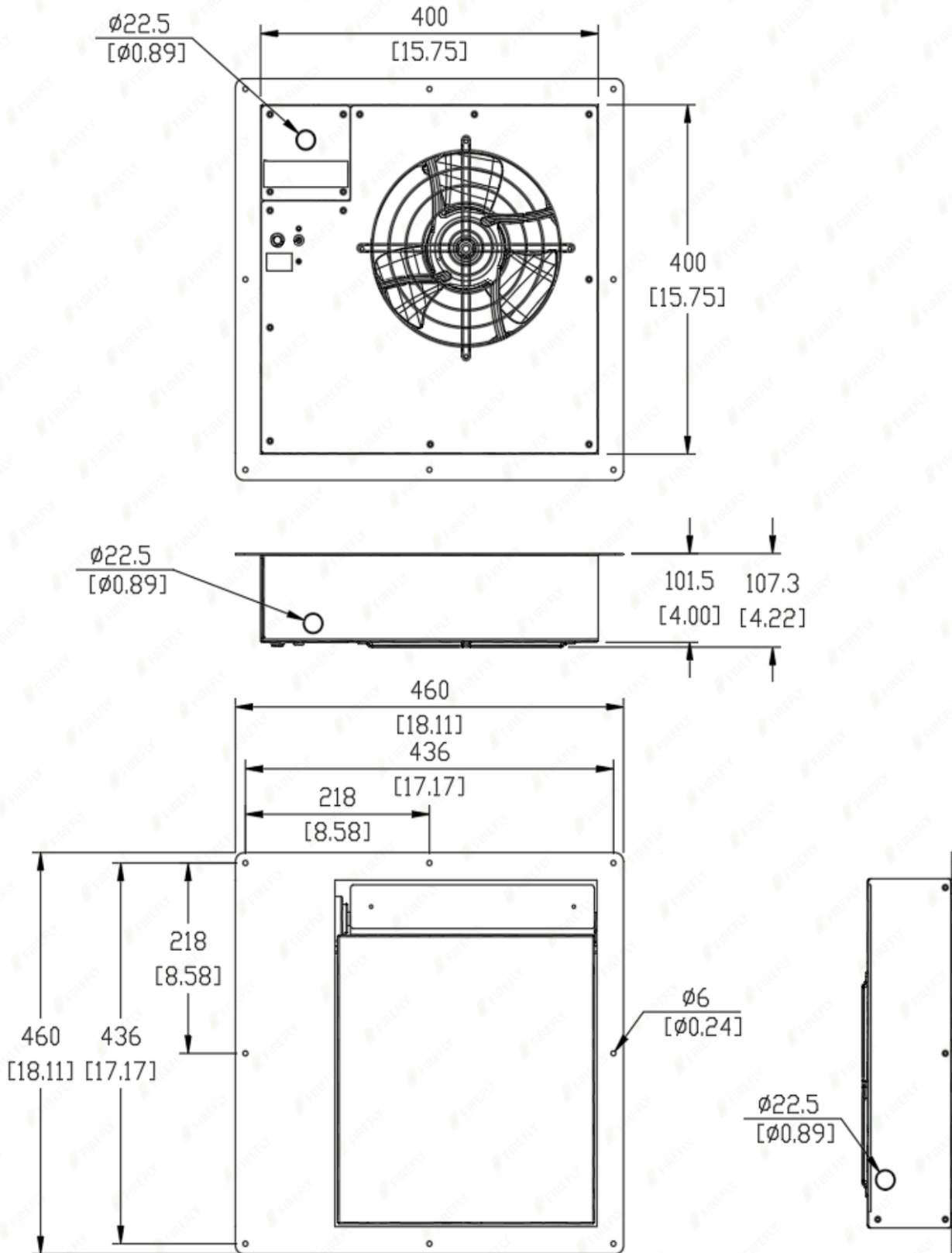
Technical Specifications

Project	Parameters/Specifications	
Product order number	GD62.21D.J03.D00	GD62.21D.J04.D00
Function	Inlet fan	Exhaust fan
Rated voltage & frequency	230VAC; 50/60HZ	230VAC; 50/60HZ
Rated current	40mA	650mA
Ventilation area/Fan air volume	0.042m ²	820±15%CFM(1394±15% ³ /h)
Fan certification	Fanless	ATEX, UL, CE
Optional accessories	Insulation cotton, fan	Insulation cotton
Net weight (estimated)	9.5kg	11.8kg
Level	IP66	IP66
Working temperature and humidity	-20°C~+55°C/85%RH	-20°C~+55°C/85%RH
Storage temperature and humidity	-40°C~+70°C/85%RH	-40°C~+70°C/85%RH
Material	Galvanized steel	Galvanized steel
Product dimensions	460mm×460mm×101.5mm	460mm×460mm×107.3mm
Installation hole size	405mm×405mm	405mm×405mm

Dimension Drawing of Inlet Fan Unit : mm [inch]



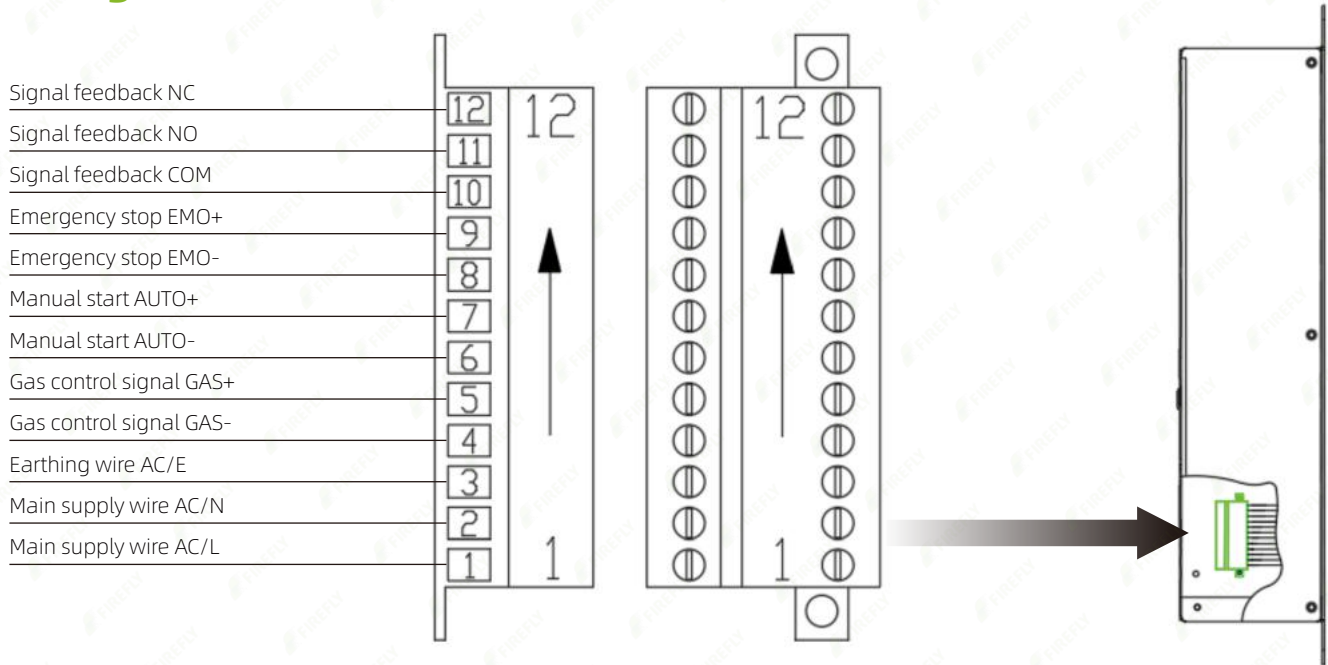
Dimension Drawing of Exhaust Fan Unit : mm [inch]



Wiring Definition

Connecting wire as per serial NO.						
Serial NO.	Interface definition	Serial NO.	Interface definition	Serial NO.	Interface definition	Connector view
1	Main supply wire AC/N	5	Gas control signal +	9	Emergency stop +	
2	Main supply wire AC/L	6	Manual start -	10	Signal feedback COM	
3	Earthing wire E	7	Manual start +	11	Signal feedback NO	
4	Gas control signal -	8	Emergency stop -	12	Signal feedback NC	

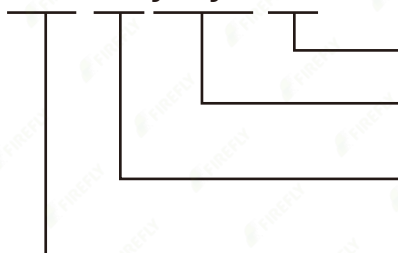
Wiring Instruction



☆ Wiring harness specification: All interfaces support 28-14 AWG.

Model Description

GD62.21D.J03/J04.D00



"D00" represents the standard version.

"J" indicates that the fan has UL+CE+ explosion-proof certification, "0" indicates that the blade drive is an actuator, "3" indicates an air intake fan, and "4" indicates an exhaust fan.

"2" represents the third version of the fan since its development, "1" represents a large fan with built-in control module, and "D" blade drive module has UL+CE certification.

"GD6" represents the ventilation system, and "2" represents the fan installed on the 220VAC input voltage side.



FIREFLY Excellent Brand
Under Wanzn Energy Safety

FireFly Global Sales & Distribution

FireFly Safety Limited

Address: 19H Maxgrand Plaza No 3 Tai Yai St San Po Kong Hong Kong

Tel: 00852 4613 9499

Email: Firefly@fire-fly.hk

Website: www.fire-fly.hk

※ ※ ※ Document version number :20250605-V1.2 ※ ※ ※

If you have any questions or need to obtain the latest information, please contact us.